

Faucet Capri Copper

Faucets

Code: 8467 805

Single lever mixer tap with rotating barrel and extractable shower head



DETAILS

Material Brass

Texture Polished

Finish PVD

Coloring Copper

Cartridge With ceramic discs

Rotating angle 180°

Mixer hole $\varnothing 1 \frac{3}{8}''$

Max worktop thickness $1 \frac{49}{64}''$

Max flowrate 1.75 GPM (6,6 Lt/Min)

Mixer type Single lever faucet with rotating barrel and extractable double jet shower

Notes: Strengthening plate included

FEATURES

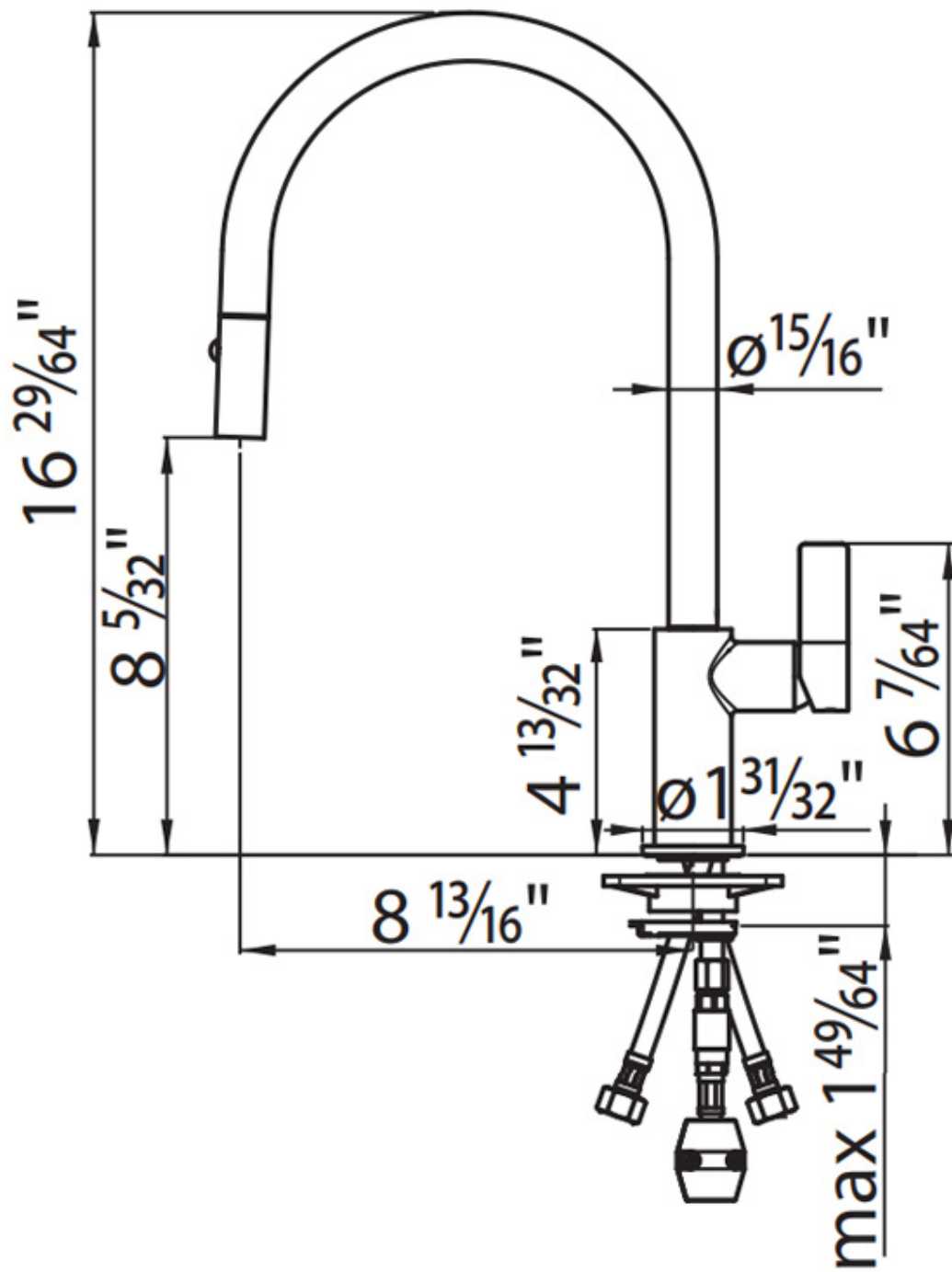
COPPER The Copper finish is obtained by treating steel with a physical process called PVD (Physical Vacuum Deposition) which deposits particles of noble metals on the surface. The result is a unique and refined aesthetic effect, and an improvement of the mechanical properties of the steel which is more resistant to impact and scratches.

Rotating angle All the taps have a wide angle of rotation. Some models even permit a full 360° rotation.

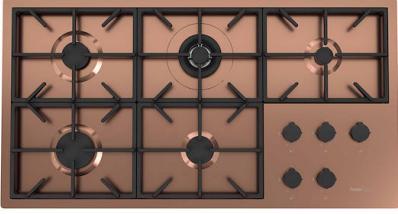
Strengthening plate Foster's mixer taps are equipped with the strengthening plate that offers perfect stability on any sink.

Double jet (flow and rain) Several models are equipped with a switch to easily change the flow from continuous to shower.

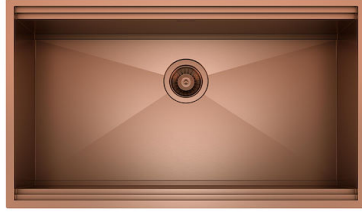
TECHNICAL DATA



RECOMMENDED PAIRINGS



Milano Cooktop Copper 5 burners
7638 908



**Sink Leonardo Copper 33" x 20" -
U/M**
1014 668